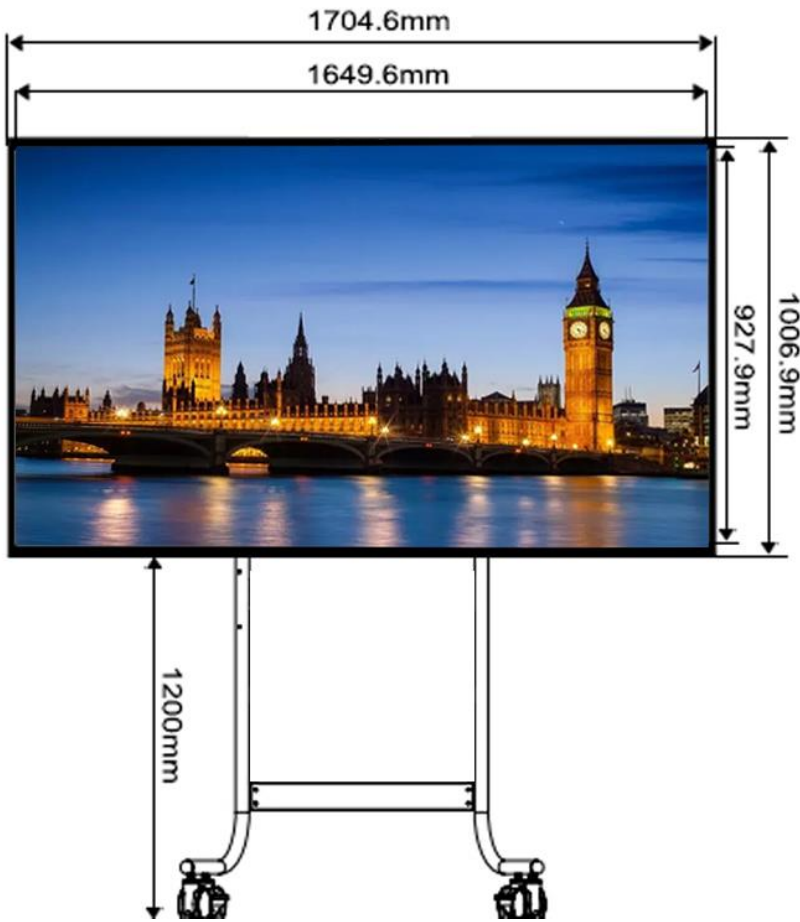


Mobile display stand for up to 90" Touchscreen

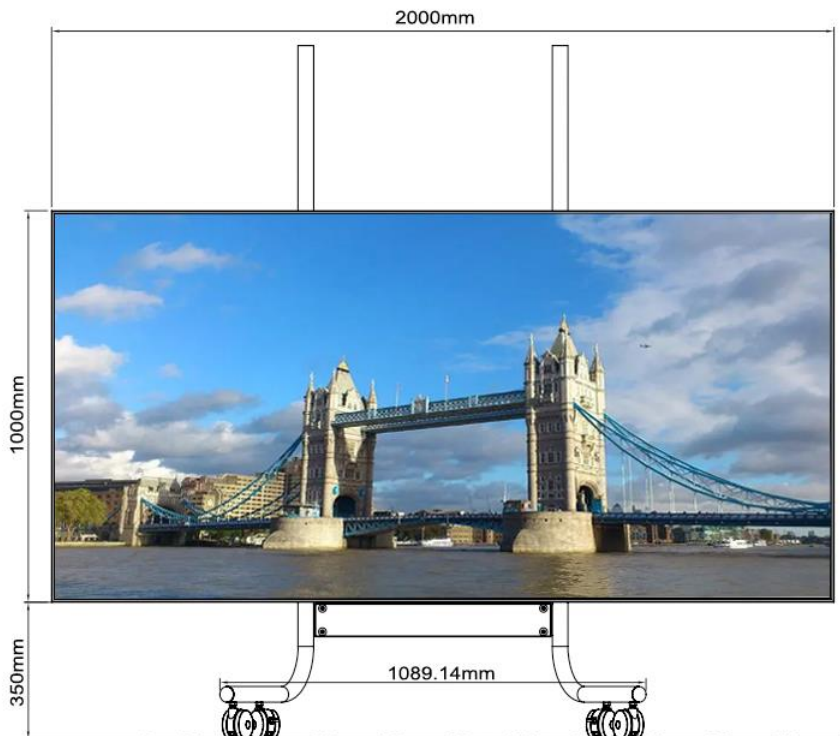


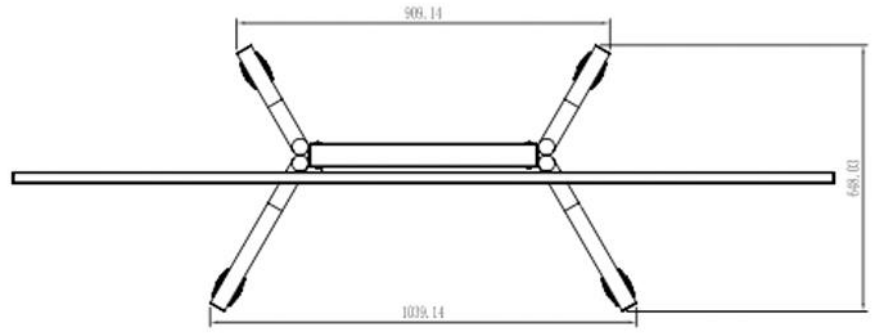
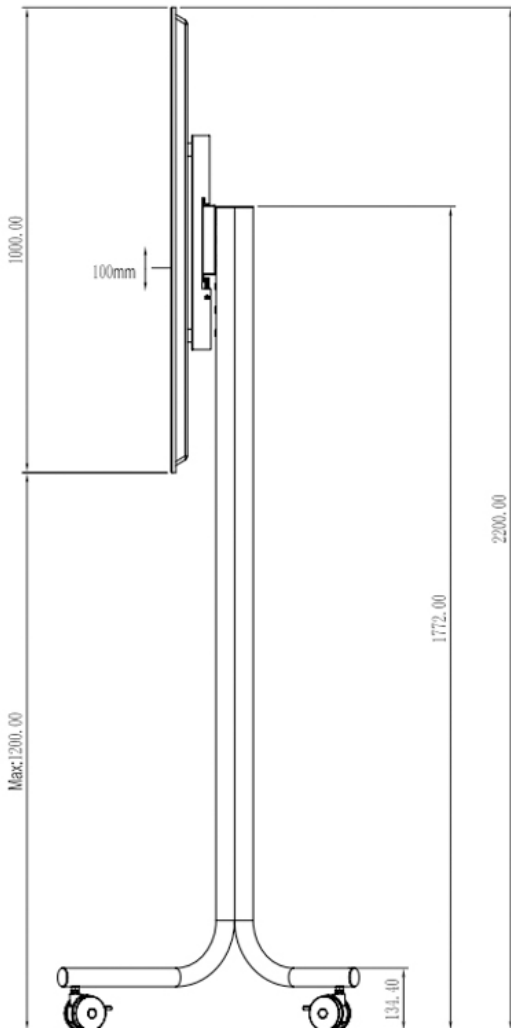
Large screen capacity, free movement

Mobile touchscreen trolley for screens up to 90" with adjustable height from floor to base of screen ranging from 350mm to 1,200 mm suitable for all age ranges in a classroom.

Height adjustable

Vesa mounts enable a range of different touchscreens to be fitted. Height is adjustable. Adaptable to different heights, applications.





Safe and durable

Easy to manoeuvre and place in best position for viewing.

360-degree universal steering wheel moves smoothly, step on and stop

Equipped with 4 universal castors, the trolley is easy to move and lock in position.

