



User Manual

DOCUMENT CAMERA

DIRECTORY

Chapter I : Product Introduction	1
1.1 Product Description.....	1
1.2 Product Dimension.....	1
1.3 Product Diagram.....	2
1.4 Parameters & Features	5
1.5 Packaging & Accessories.....	5
Chapter II : Software Installation.....	6
2.1 System Requirements.....	6
2.2 Software Installation	6
Chapter III : Troubleshooting.....	8
Chapter IV : Service and Statement.....	9

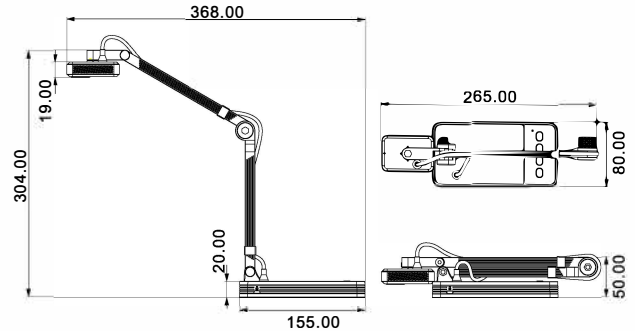
Chapter I : Product Introduction

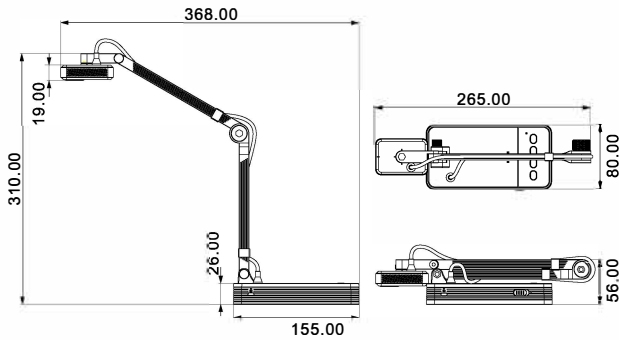
1.1 Product Description

Thank you for using our visualizer. Please read the manual carefully before using it, so that you can use it correctly. In case of any printing or translation error, we apologize for the inconvenience. The information contained in this document is subject to change without any notice.

1.2 Product Dimension

Unit: MM





1.3 Product Diagram



1. Indicator Light: power light.

2. LED Touch Button: to turn on/off LED lights.

3. Main Camera: to capture video or image.

4. Auxiliary Light: 2 white LED lights.

5, 6, 7. Hand Twist Screw.

8. TF Card Slot: Offline mode, Insert TF card for images capture and saved.

9. Device keys

(1) : Zoom in images.

(2) : Zoom out images.

(3) : Capture images by pressing this button.

(4) : Focus images by pressing this button.

10. Microphone.

11. Theft lock.

12. Device interface

(1) HDMI : Connect the device to TV, projector via HDMI cable, under offline mode. (Note: Under offline mode, you need to connect the device via PC USB interface. Connect to the PC no image display, and image display on HDMI device)

(2) USB: Connect the device to the PC, under online mode. (Note: HDMI is not connected!)

(3) USB expanding interfaces: Can connect to outer devices e.g U disk, mouse, keyboard etc.



1. Indicator Light: power light.

2. LED Touch Button: to turn on/off LED lights.

3. Main Camera: to capture video or image.
4. Auxiliary Light: 2 white LED lights.
- 5, 6, 7. Hand Twist Screw.
8. Indicator light
 - (1) “ 🔴 ” Indicator: The red light is on while it’s charging;the green light is on while the power is full.
 - (2) “ 🟢 ” is status at work: wired and wireless type.
 Connection:
 The green light is on while under mode of USB, HDMI offline.
 Wireless connection:
 WiFi mode, when the power is switched, it is wireless mode when the USB and HDMI are not connected! Under wireless mode, the green and the blue light (mixed into cyan), if the WiFi mode work and display image, the cyan light flashes slowly. (Note: Under the WiFi mode, it takes about 16 seconds to initiate the device and the green light is on!)
 - (3) “ 🔴 ” Low battery: low battery reminder in red light, please use DC 5V / 3A power adapter to charge and ensure WiFi mode works normally.
9. TF Card Slot: Offline mode, Insert TF card for images capture and saved.
10. Device keys
 - (1) 🔍 : Zoom in images.
 - (2) 🔍 : Zoom out images.
 - (3) 📷 : Capture images by pressing this button.
 - (4) 🔍 : Focus images by pressing this button.
11. Microphone.
12. Theft lock.
13. Device switch
14. WiFi reset: Under WiFi mode, when you forget WiFi wireless password, press it for 6 seconds to clear password and change it into passwordless status. (Specific operation steps: Through a "paper clip" type slender object, insert it horizontally into the reset hole, long press for 6 seconds, when the blue light flashes quickly, release the button, the device will restart and rework successful in 20 seconds!)
15. Device interface
 - (1) HDMI : Connect the device to TV, projector via HDMI cable, under offline mode. (Note: Under offline mode, you need to connect the device via PC USB interface. Connect to the PC no image display, and image display on HDMI device)
 - (2) USB: Connect the device to the PC, under online mode. (Note: HDMI is not connected!)
 - (3) Power interface: DC 5V / 3A power adapter for charging.

1.4 Parameter & Features

No.	Specification			
1	Resolution	10 Mega pixels	15 Mega pixels	10 Mega pixels
2	Medium type	Book,document,magazine,photo,3D objects etc		
3	Scanning size	A3		
4	Scanning speed	1S		
5	Focus type	Auto focus		
6	Frame rate	30Fps		
7	Image colour	24 bits		
8	Image mode	JPG, PNG, BMP, TIF etc		
9	Video mode	AVI, WMV		
10	Sensor	CMOS		
11	Light	Natural brightness and LED light		
12	MIC	Yes		
13	TF Card Slot	Support 32G		
14	USB extension interface	1 USB 2.0	1 USB 2.0	No
15	Battery	No	No	Yes
16	Interface	USB2.0, HDMI OUT		
17	Power	5V/1A Adapter	5V/1A Adapter	5V/3A Adapter

1.5 Packaging & Accessories

- 1) Device
- 2) CD
- 3) USB cable
- 4) Adapter
- 5) Manual

Chapter II : Software Installation

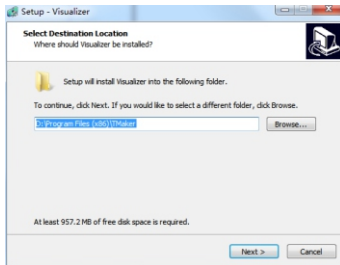
2.1 System Requirements

- (1) Hardware: CPU 2.0GHz, RAM1GB, with CD ROM drive
- (2) USB port: USB2.0port
- (3) Operating System: Windows VISTA / Windows XP / Windows 7 / Windows 8 / Windows 10

2.2 Software Installation

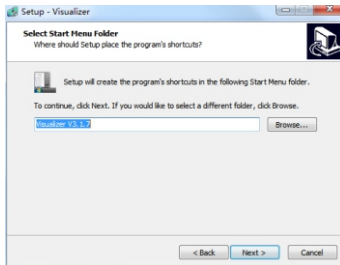
Step1: Insert the CD into your CD ROM drive, double click on the software CD "Visualizer.exe". Pls click "Browse" to choose the installation path, and click the "Next" to continue the installation:

Note: If you don't want to change the path, pls click the "Next".

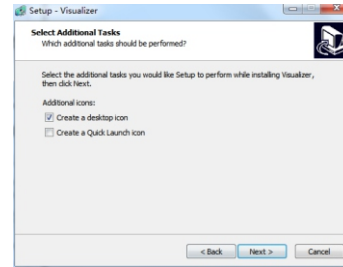


Step2: Pls click "Browse" to choose a shortcut where create program are installed.

Note: If you don't want to change the path, pls click the "Next".



Step3: Choose whether if create the desktop icon or create a quick launch icon, if you don't want to create, you can cancel it and click "Next".



Step4: Choose "install" and enter the automatic installation interface. When the installation is completed, it will pop up automatically into the interface, click "Finish" and the installation is completed.



Remark:

Not recommend to install software on the system disk C.

Chapter III: Trouble shooting

No.	Designation	Description	Solution
1	Blank screen appears in offline mode	Blank screen when it connect with projector or TV via HDMI interface	1. Check whether if the HDMI and USB cable connect properly, USB cable should connect with PC_USB interface; 2. Check whether if switch it to offline mode. Remark: When HDMI cable connect with device, will be the offline mode, pull out the cable, it will be automatically tested in USB online mode.
2	Blank screen appears in online mode	Blank screen when device connect with PC through USB cable, open the software, no any image	1. Check whether if the USB cable connect properly, USB connect with PC_USB interface; 2. Check whether if switch it to online mode; Remark: It will be in USB online mode if the HDMI cable haven't connect with device. 3. Make sure all above, close the software and reopen it.
3	The indicator light is not on	When the power indicator light is not on	1. Check whether if the USB cable connect properly, USB connect with PC_USB interface; 2. Connect the device with other USB interface or other USB adapter to test.
4	The fill light is not on	After the device connect with PC, the indicator light on, but the fill light is not on	1. The fill light on/off switch is touch button, please turn on/off within the valid touch range; 2. The touch finger is too dry and affect touch sensitivity.
5	Errors when open the software	When open the software, pop-up the error box	1. Check whether if the USB cable connect properly, USB connect with PC_USB interface; 2. Exit and Reopen the Software.
6	Images uneven and unclear	The scanned images appear uneven color, unclear and partial dark	1. The device has an automatic exposure function, when software is opened, the capture images have process turned from dark to bright; 2. Insufficient light, to capture in light-filled environment; or adjust the fill light to the appropriate brightness; 3. Press the FOCUS button to focus.
7	Images appear pixels noise	Pictures appear numerous small white point when scanning files	1. Insufficient light, to capture in light-filled environment; 2. open device complement light to adjust suitable light.
8	Image distortion	Pictures occur trapezoidal, gram and deformed when scanning files	1. Head shell is not open in place, shooting angle is not up to 90 degrees, start it again; 2. Files does not lay flat, there is arch, angle, or literary itself with irregular shape.
9	"offline mode" cannot take photos or record	When offline, the device cannot take pictures or record	1. Check if the TF card is inserted and re-plug the TF card; 2. Check if the storage space is full, make sure that the TF card has enough storage space, otherwise it will result in failure to take pictures; 3. The TF card needs to be in FAT32 mode. If not, you need to choose to format it in FAT32 mode. Note that the files in the card need to be backed up in advance, and after formatting, the file in the original card will be emptied.

Chapter IV: Service and Statement

After-sale Service and Guarantee.

1. We warrants the included hardware product and accessories against defects in materials and workmanship for one year from the date you purchase.
2. We will provide on-line trouble shooting service after receiving your claim in 24 hrs.
3. We provides technical support at any time when you needed. Additional cost may will be charged if you want us to make customized software or package.
4. We do not warrant against normal wear and tear, nor damage caused by accident or abuse.
5. We do not warrant in the following situation.
 - 5.1 Damaged by force majeure, such as all kind of earthquake, storm flooding etc.
 - 5.2 Damage caused by improper operation.
 - 5.3 The visualizer don't have original warranty card or serial No.
 - 5.4 Fault caused by computer virus.
 - 5.5 Problems caused by other software's installation and setting.