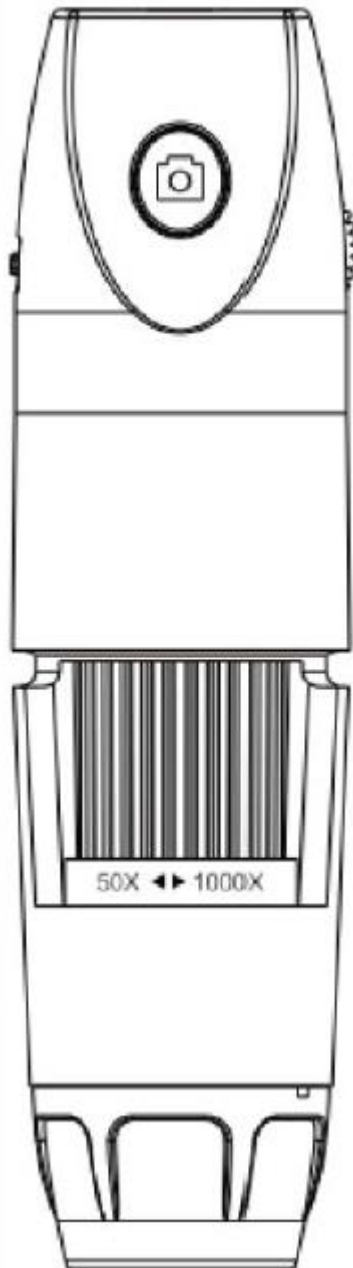


Edis

WiFi Digital Microscope



User Manual

Important tips

1. Before using the microscope, please remove the plastic cover of the LED shade and cover it when you are finished using it to prevent dust from entering.
2. Please fully charge the equipment before using it for the first time, and charge it for at least one hour before it can be used normally. Please do not charge directly through the computer socket, please use 5V1A adapter.
3. When the device is connected to the computer to view images, the device photo button does not work.
4. When connecting to app, please click Allow to read location information and storage space, and your private information will not be read.
5. Microscopes cannot be used on mobile and PC at the same time.
6. Do not use mobile phone network or home WiFi during use.
7. This device is a combination of digital and optical microscope, the magnification reading is not accurate, the specific magnification effect is subject to the actual picture taken.
8. The optimum focal length of the microscope is 0-40mm. You will need to adjust the focal length by adjusting the focus wheel to see the object clearly.
9. WiFi connection is only available for your mobile phone and tablet not for PC. If you want to use it on a PC, please connect via USB cable and download the recommended PC software in the manual.
10. Please close useless apps on your phone to ensure that the microscope runs well and does not get stuck or break down.

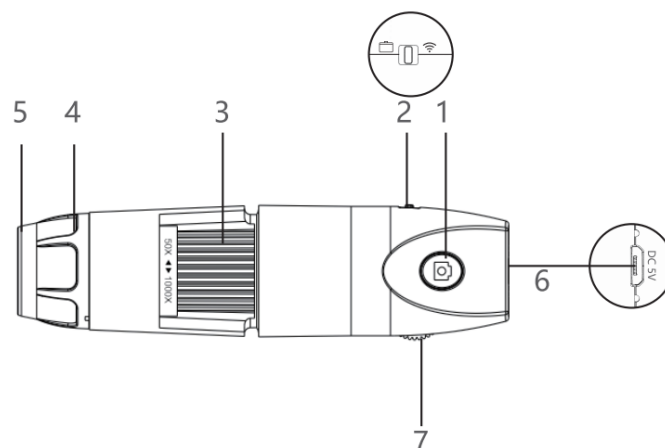
Product introduction

Thank you for purchasing our WiFi digital microscope, which can be easily used in different fields, including:

1. The textile industry, for textile inspection
2. Printing inspection
3. Light industry: PCB, precision machinery inspection
4. Educational purpose
5. Hair Inspection
6. Skin Inspection
7. Microbial observation
8. Inspection of jewelry and coins (collection)
9. Visual AIDS

This is a portable WiFi electron microscope with WiFi hotspot for connection to iOS / Android phones and tablets. The microscope also supports a USB interface to connect to computer. Larger the screen, better the display and clearer the image quality. It also has camera, video and file storage function.

Function introduction



- 1.Camera button
- 2.WiFi mode /PC mode switching
3. Focusing wheel
4. Concentrating hood
- 5.Dust cap
- 6.Charging hole
7. light adjusting wheel

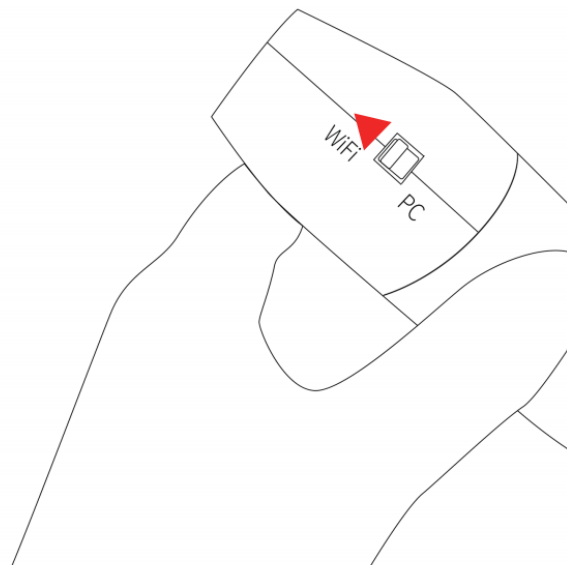
instructions

-----Mobile users

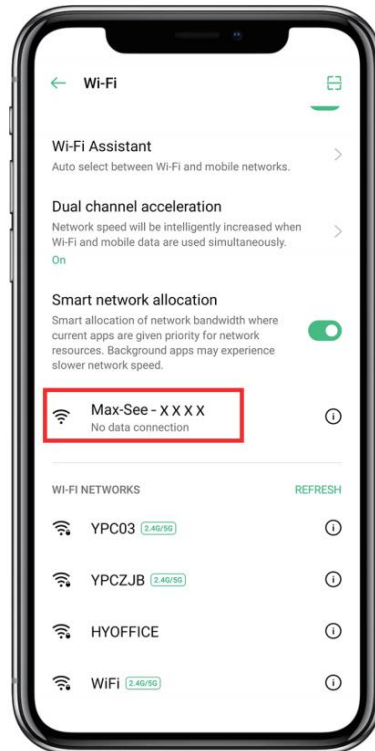
1. APP download and installation.Download the "Max-see" app from Google Play orApple app store and install. But do not open theapp now.



2. Turn on the equipment.a. Switch on the WiFi status of the device byswitching the WiFi / PC button to the WiFi side.
b. 2)Press and hold the device camera/on/offbutton for 3s and the device indicator light will flash blue.

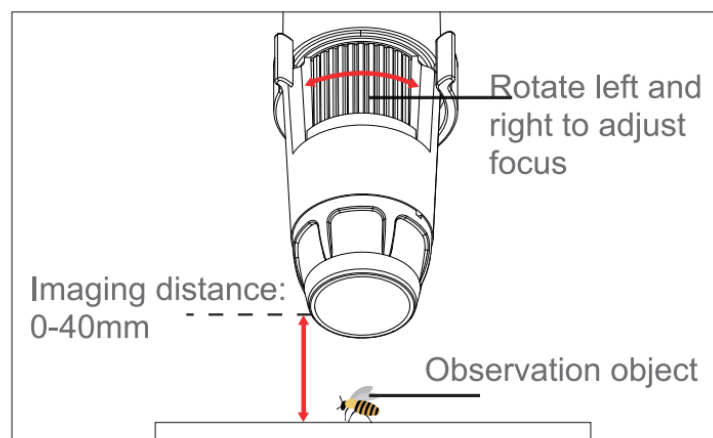


3. Wifi connection.

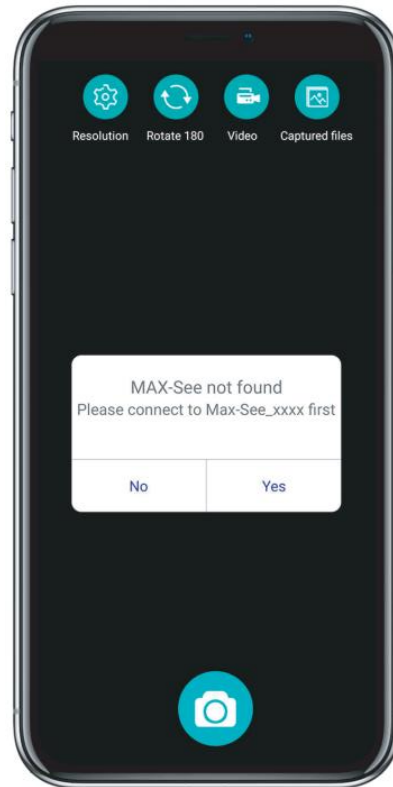


- 1) On your phone go under "setting" and then under "WI-FI" and find the wifi name Maxsee-xxxx (no password), and connect it. You will get a message that you have no WI-FI connection, but you will see you are connected to the microscope.
- 2) Open the app on your phone. Select "accept" for the window popping up to access photos. Max-see will store the photos and videos you capture in your photos folder.
- 3) While the app is open, you will see on the screen what the microscope sees. Press the camera or video buttons to take photos or video, respectively.
- 4) To disconnect, turn off Max-see and your phone will automatically return to its original WI-FI settings. Wi-Fi is connected, but there is no picture: Please turn off other open applications in the phone. This is because the wifi signal can only be used for the microscope to transmit pictures and videos.

4. Setting the microscope to see the specimen: 1) Connect the microscope. 2) Hold the microscope by hand, keep a solid position without moving
- 3) Place the specimen within the microscope's view range of 0-40 mm.
- 4) Adjust the view by first using the zoom wheel for the desired magnification.



5.Introduction and use of mobile APP interface



Resolution: Click to switch between different resolutions.

Rotate 180: Click to rotate the observed object by 180.

Recording: Click Start/End recording video. Save files: Click to view or delete the taken photos or videos.

Take a photo: Click to start/end to take a photo

How to Use with Windows PC or Computer Support Windows vista/7/8/10 or later

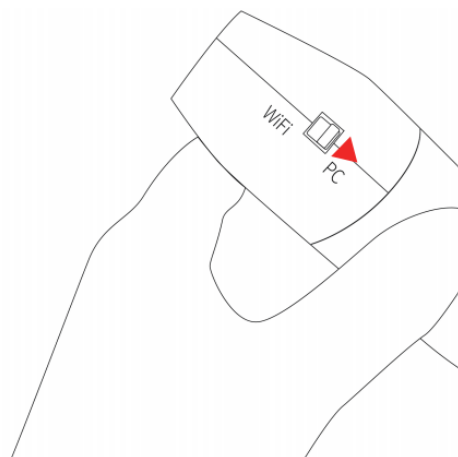
Make sure that the microscope has enough power before use, you could use your 5V 1A phone adapter to charge.

1) For win 10, you can directly plug into the USB port and search software CAMERA windows to find it and click on it.

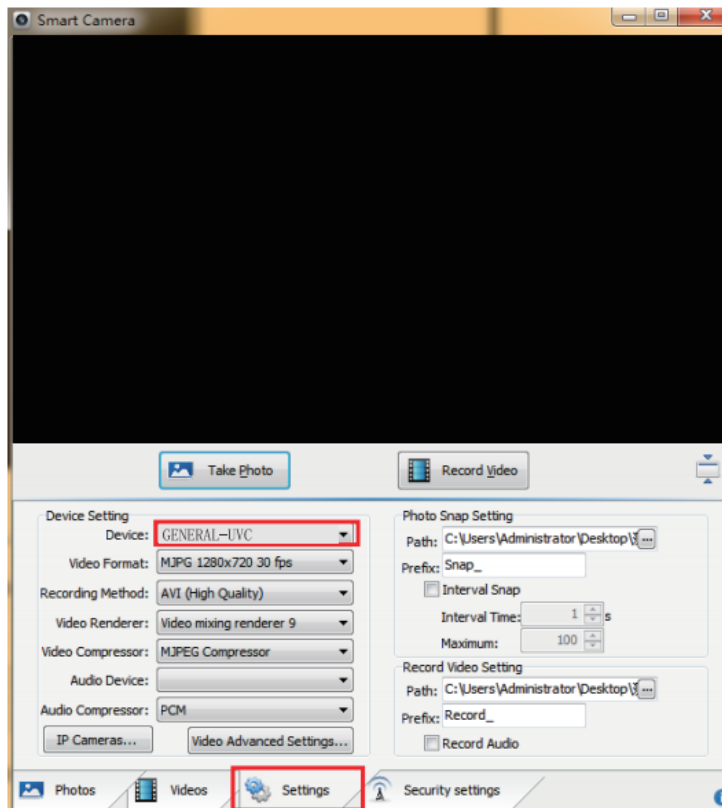
2 For WIN 7/8, downloading an Amcap will solve this issue. Note: Please disable the default laptop camera in windows! And you have to change your privacy settings for the camera, which needed to be changed to permit access.

3) or Download the app for your computer www.inskam.com/download/camera.zip

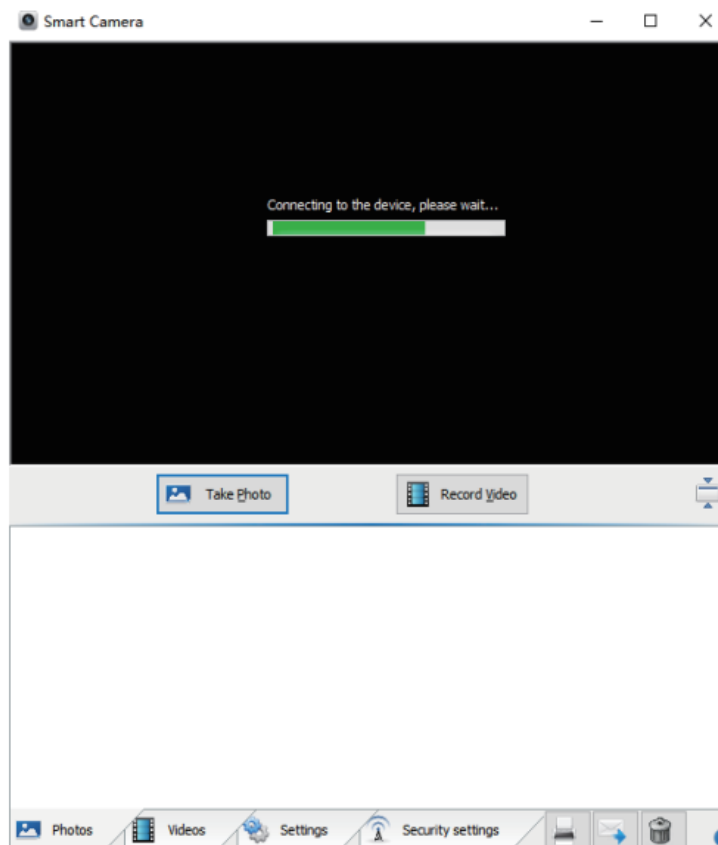
4) Long-press the on-off button on the microscope to turn it on. Remove the protective lens cover, and switch the microscope mode to PC



- 5) Use the USB cable that came with microscope to connect it to the computer
- 6) Open "Smart Camera" software on your Computer
- 7) From "options" under "settings" select "GENERAL-UVC#2" and enjoy the microscope.
- 8) When finished, turn the microscope off and replace the protective lens cover.



Note: If the following situation occurs for a long time 大 even after the correct use of the data cable to connect the device to the computer. The solution is the following 2points:



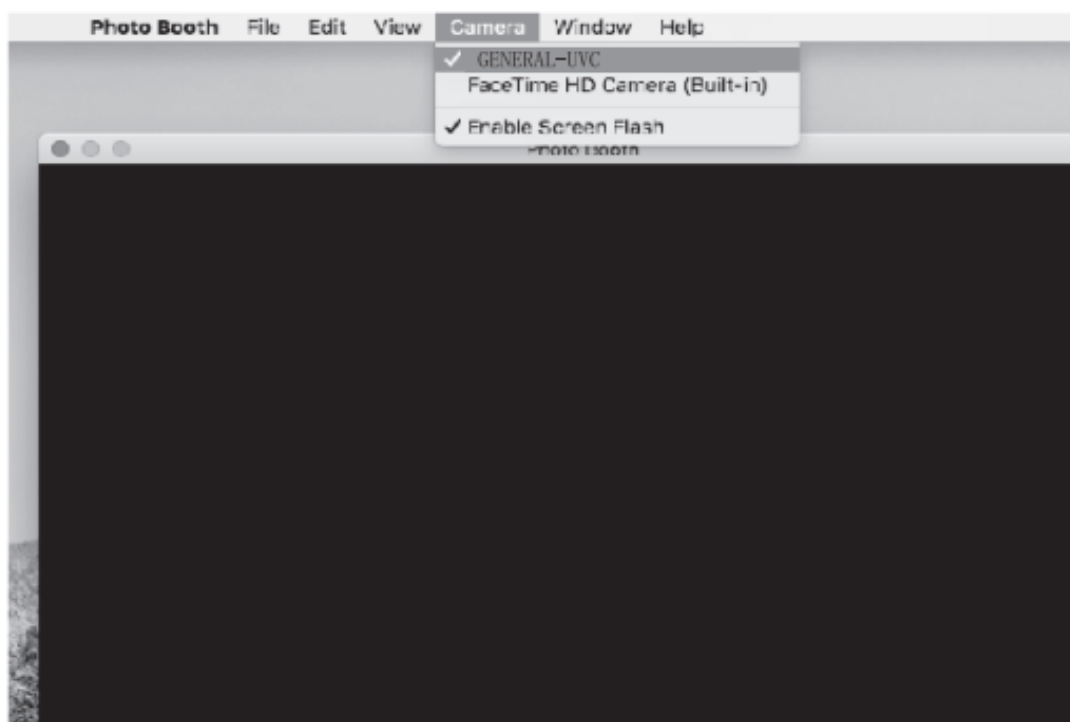
- a. First, it is recommended to insert the data cable into the USB port on the back of the host.
- b. Secondly, it may be the incompatibility of computer software. In this case you can download the alternative software "Amcap" or "ViewPlayCap" from your browser both of which can be used but have different functions.

How to Use with Mac PC or Computer Support MacOS X 11.0 or higher

- 1. Open the software (We recommend using the "Photo Booth" software that comes with your computer.).
 - a. Find an application named "Photo Booth" in the applications directory of the Finder window.



- 2. Connect the equipment.
 - a. Switch the WiFi / PC switch to PC to turn on the device PC mode, press and hold the device camera/on/off button for 3s to turn on the device.
 - b. Connect the device to the USB port on the back of the case using the data cable and open the and run "Photo Booth".
 - c. Click Photo Booth and select the camera GENERAL-UVC



3. You can also use the alternative software Quick Time Player

Charging and light indicator

1. Please use a 5V 1A power adapter to charge the device. The working light is red when the battery is charging, and goes out after charging is complete. The whole charging process will take about 1 hour.
2. When the battery is low, the red indicator light at the rear will blink and it will shut down automatically after about 10 seconds.
3. After fully charging, you can use the microscope continuously for up to 2 hours.
4. The equipment needs to be charged with a 5V/1A charger for at least 1 hour before it can be used properly when completely drained of power.
4. Do not use your computer to charge the equipment. It will automatically go into PC camera mode.

Product parameter

Pixel	2.0 M pixels
Magnification times	50-1000 X
Photographing resolution	1920*1080P
Focal distance	Manual focusing (0~40mm)
Wireless connection	10M (open environment)
Picture format	JPG
Video format	MP4/AVI
Dynamic frame number	20-30 f / s
USB type	USB 2.0
Support system	Android 6.0 , iOS 9.0 , Windows vista/7/8/10 , MacOS X 10.8 or higher.
Parts list	WiFi microscope 1M Data cable Operation instruction Packaging box

Questions and answers.

Q1: Which systems is this device compatible with?

A1: Mobile phone: IOS/ most Android systems.

PC: Windows/Mac, not Linux/Chrome OS.

Q2: Can the equipment be connected to more than two devices at the same time? A2: Sorry, you can only view pictures in real time on one device at a time.

Q3: Why can't the mobile phone search the wifi signal of the microscope when connecting the microscope and the computer with the data cable? A3: When you connect the microscope and the computer with the data cable, the microscope will default that you want to observe the image with the computer, so the mobile phone cannot search the wifi signal of the microscope.

Q4: I just got it and connected it to my computer it seems that the camera button doesn't work? A4: The camera button on the equipment can only be used on smart phones, fixed focus function only on the computer.

Q5: Why did I use another data cable to connect the microscope to the computer, open the software and follow the instructions, but I couldn't see the picture?

A5: When connecting the microscope and the computer with a data cable, it is necessary to confirm whether this data cable has the data transmission function, because some data cables only have the charging function.

Q6: Can the equipment record sound?

A6: No, it can't record sound.

Q7: When using the device to observe, what is the reason that the screen shows motionless black patches?

A7: For some reasons, dust has entered, so you can try to tap it lightly to see if the dust can be knocked off. It is recommended to cover it with the dust cap after use.

Q8: Why is the image very blurred when watching? A8: First of all, did you open the dust cover in front of the lens? Secondly, if you have adjusted the microscope to the best observation distance you can adjust focal length must be adjusted by slowly rotating the focus wheel from the right to the left to achieve optimum clarity.

Q9: Why didn't the image appear on the mobile phone or computer?

A9: First, check whether the microscope is in WiFi mode (mobile phone) or PC mode (computer), and select a corresponding mode. Secondly, check the WiFi settings on your phone to ensure your device is connected successfully.

Q10: What if the equipment crashes? A10: You can restart the equipment by charging it with the data cable.