

***Edis***

**Wireless lavalier microphone  
3.5mm mini jack**

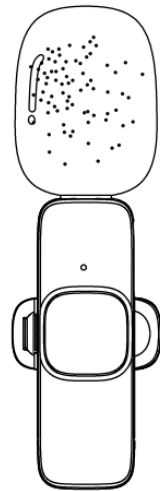
User manual

# Introduction

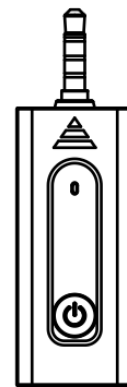
Thanks for choosing our product.

This product is a smart wireless microphone that provides professional-grade recording output. Plug and play, no app required. Multiple uses: It can be used in online live broadcast, video Vlog shooting, program interview, recording, video teaching and other occasions.

The wireless Microphone consists of two parts, one is Microphone transmitter , the other one is Audio receiver.(See as below picture)

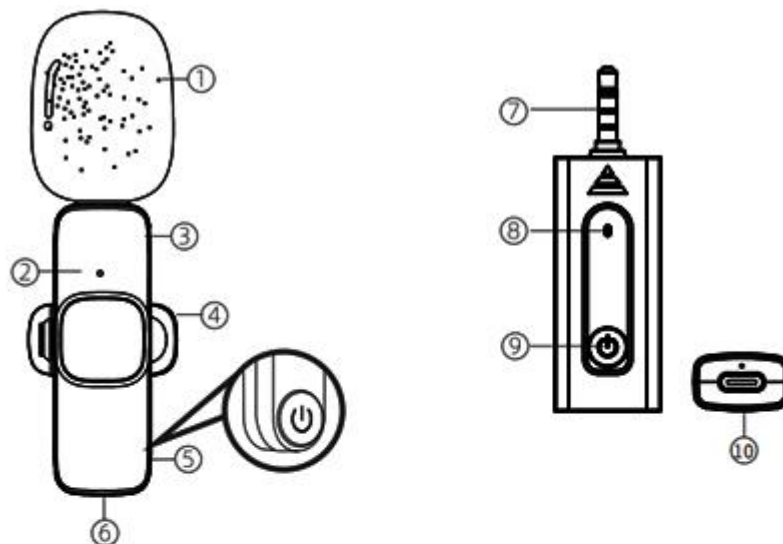


(Microphone transmitter)



(receiver)

## ID Diagram

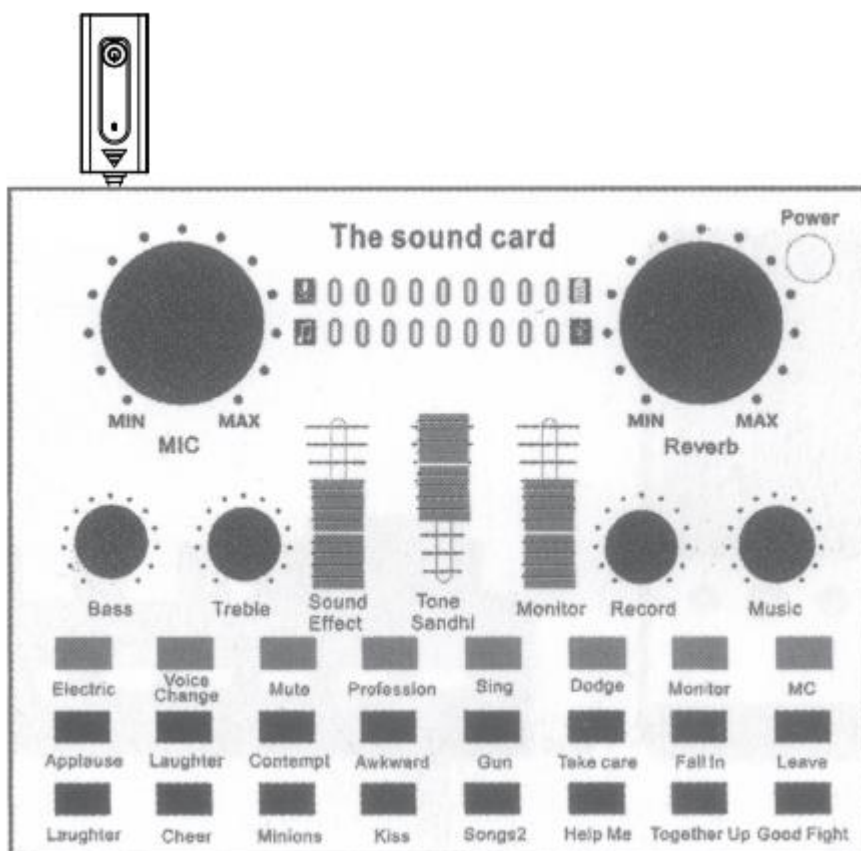


- |                                   |                      |
|-----------------------------------|----------------------|
| ① Windproof net                   | ⑦ Audio interface    |
| ② Microphone indicator            | ⑧ Receiver indicator |
| ③ Microphone Type-C charging port | ⑨ Power button       |
| ④ Microphone clip                 | ⑩ Charging hole      |
| ⑤ Switch key                      |                      |
| ⑥ Microphone reset key            |                      |

\*\*\*\*\*Some Android phones may have incompatibility problems due to system , please consult your dealer for details\*\*\*\*\*

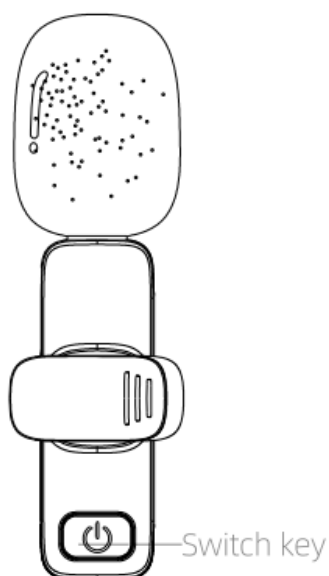
# How to use

Step 1: First Long Press 3 seconds to start, the receiver audio head into the live sound card, mobile phones, speakers, cameras and other audio hole, green light flash, into the state to be connected.

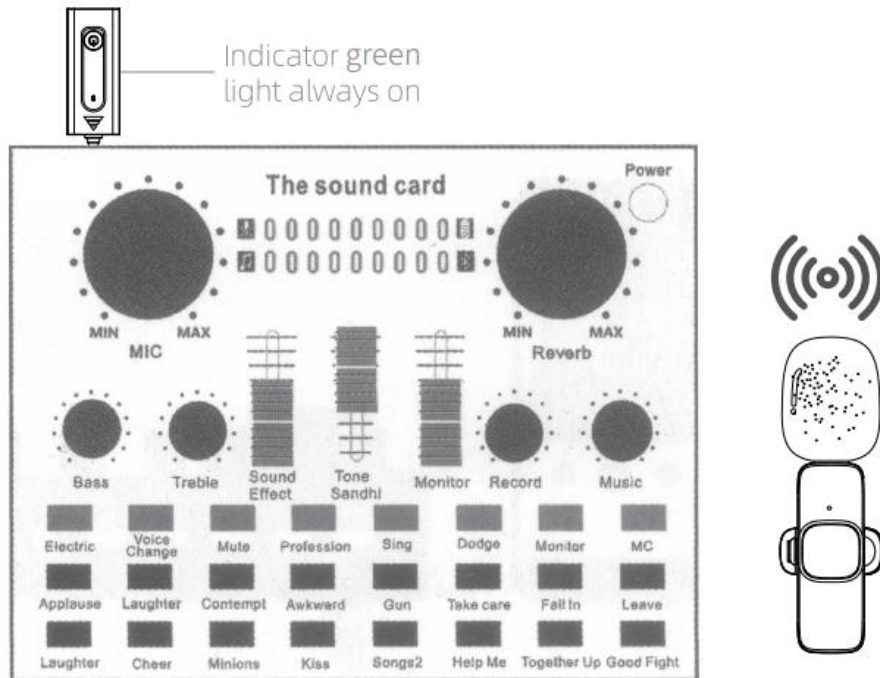


Note: oppo / vivo / iqoo / realm brand mobile phones can be used normally only when they go to the settings (search "OTG" - turn on OTG power supply)

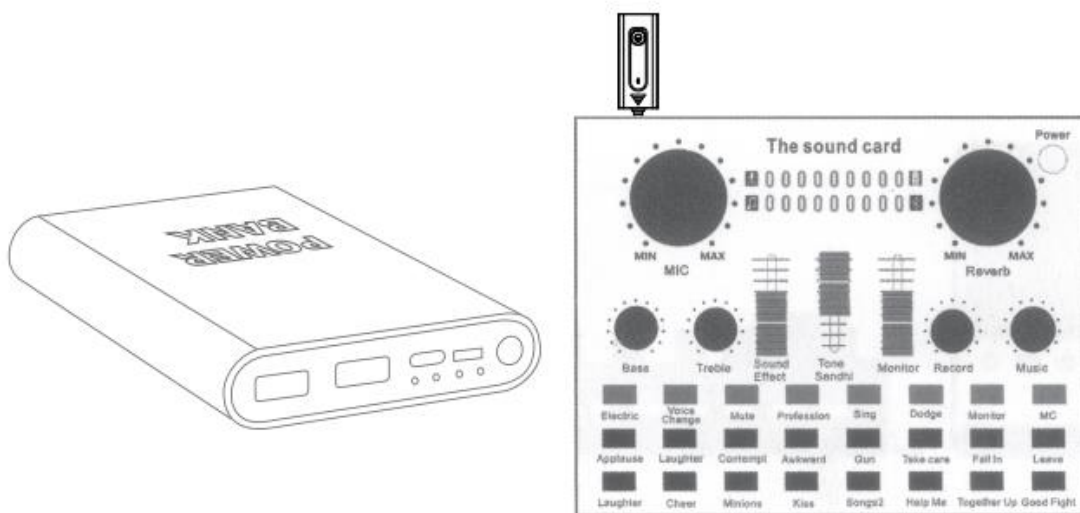
Long press the microphone power on button to start up, and the indicator flashes the traffic light to enter the state to be connected.



Step 3: The indicator green light of receiver keeps always on, The green light of the transmitter is always on, and the pairing is successful, then open the phone camera, live App or other Apps, and then to use the microphone to receive sound.



Both microphone transmitter and audio receiver are equipped with batteries. It is recommended to charge directly after use to facilitate next use. The receiver cannot be charged while using.



Note: Some models do not have this function, and the real object shall prevail

# About UI

## Microphone Transmitter

Function / status	operation	Lamp effect
Power on	Press and hold the key for 3 seconds	Traffic lights flash alternately
Shut down	Press and hold the key for 3 seconds	All lights off
Search pairing		Traffic lights flash alternately
Pairing successful	Power on automatic connection pairing	The green light is always on
Low power	On state	The red light comes on every 10 seconds
charge	Charging with C-wire	The red light is always on and the full red light goes out
Mute	Press the button	The green light flashes
No connection	If there is no connection for more than 3 minutes, it will shut down automatically	All lights off

## Receiver

Function / status	operation	Lamp effect
Power on	Press and hold the key for 3 seconds	Traffic lights flash alternately
Shut down	Press and hold the key for 3 seconds	All lights off
Search pairing		Traffic lights flash alternately
Pairing successful		The green light is always on
Low power	On state	The red light comes on every 10 seconds
Charge	Charging with C-wire	The red light is always on and the full red light goes out

## Packing List

### Content of packing

- (1) Microphone transmitter
- (2) 3.5 audio receiver
- (3) Type-C charging cable
- (4) User manual